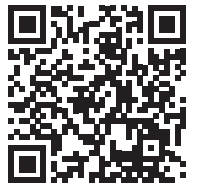
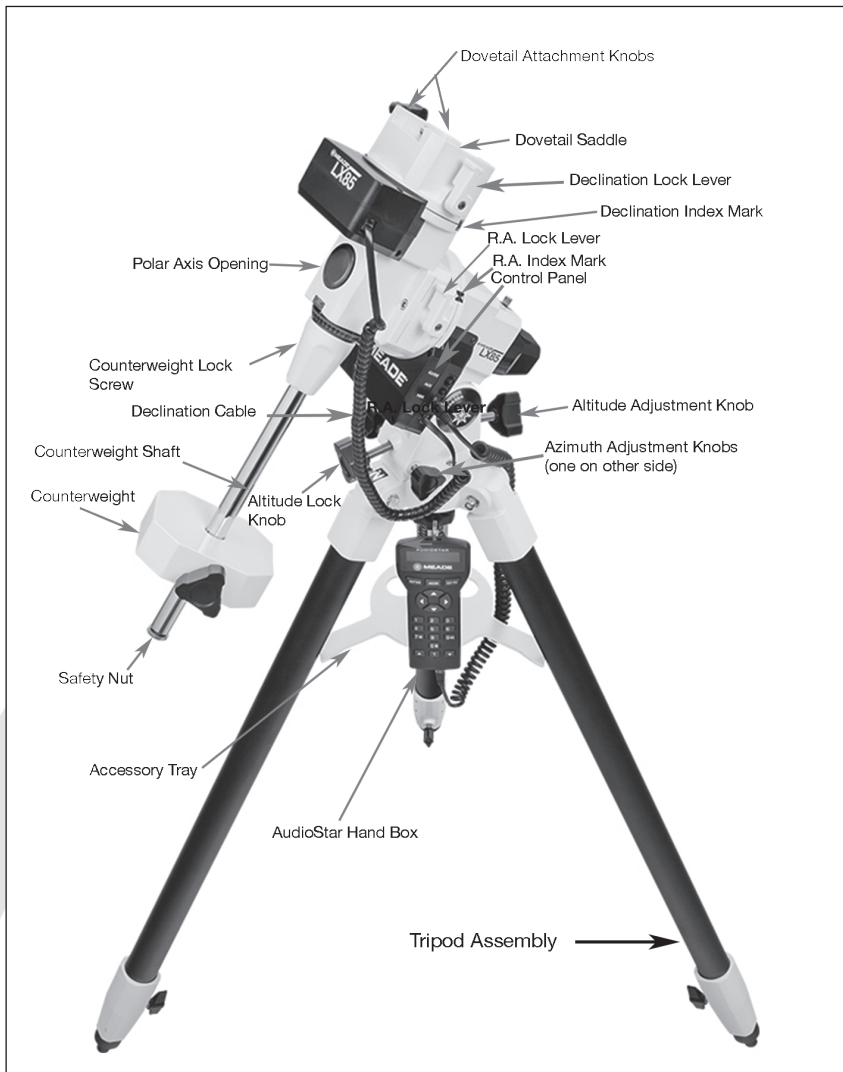


Meade LX85 Quickstart Guide

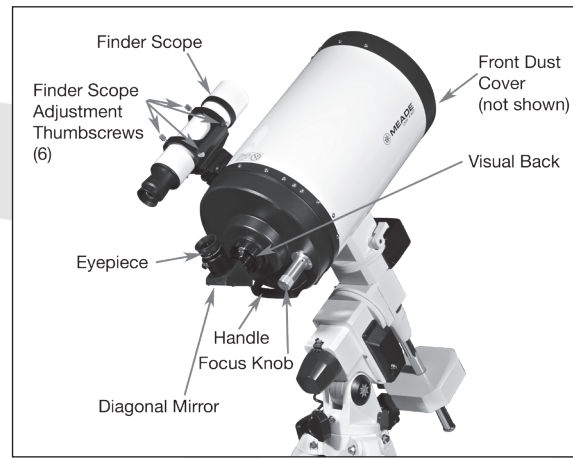
Before assembling your telescope, visit the Meade LX85 resources page to access instructional videos, manuals, quick start guides and download our AutoStar Suite Planetarium Software. <https://www.meade.com/content/lx85-support-resources>



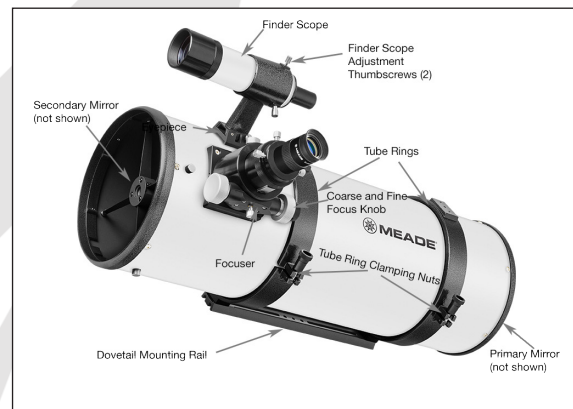
SCAN ME



ACF Optical Tube Overview



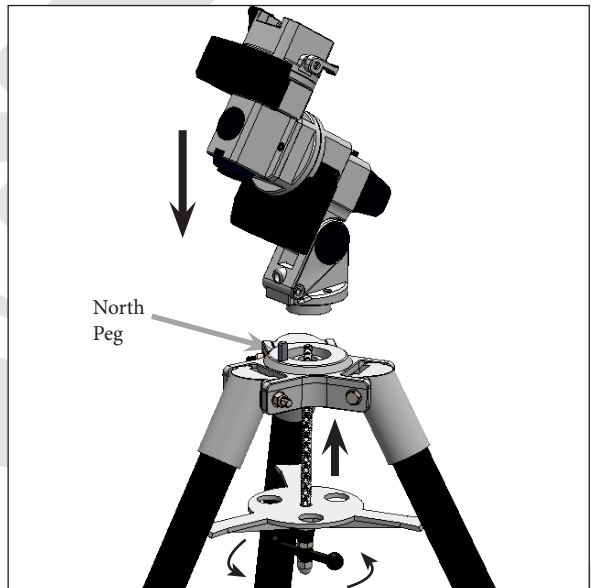
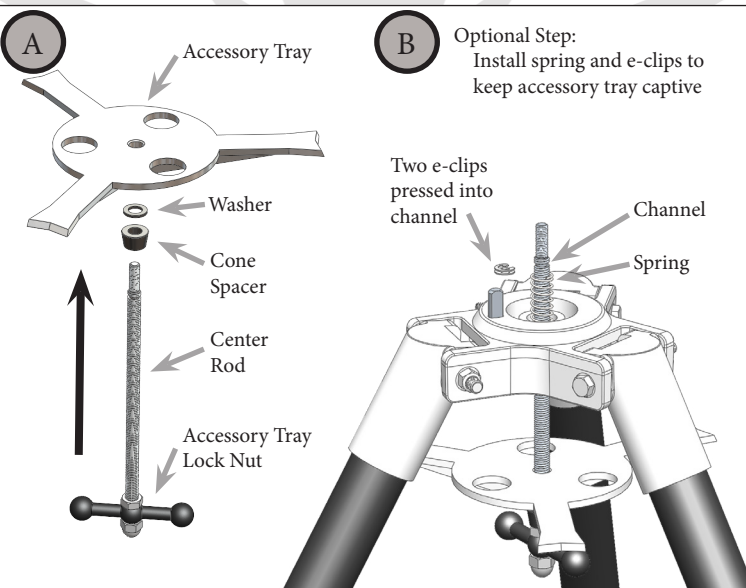
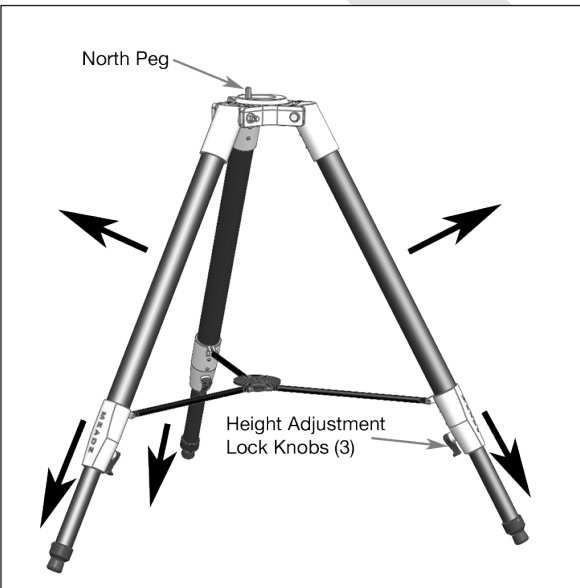
Reflector Optical Tube Overview



STEP 1 Open the tripod, extend the legs, and adjust height as needed. Orient North Peg to face north.

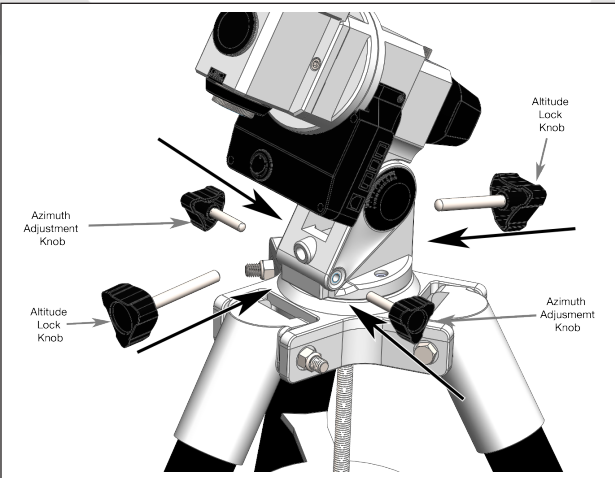
STEP 2 Assemble Accessory Tray as shown.

STEP 3 Attach the LX85 mount to the tripod.

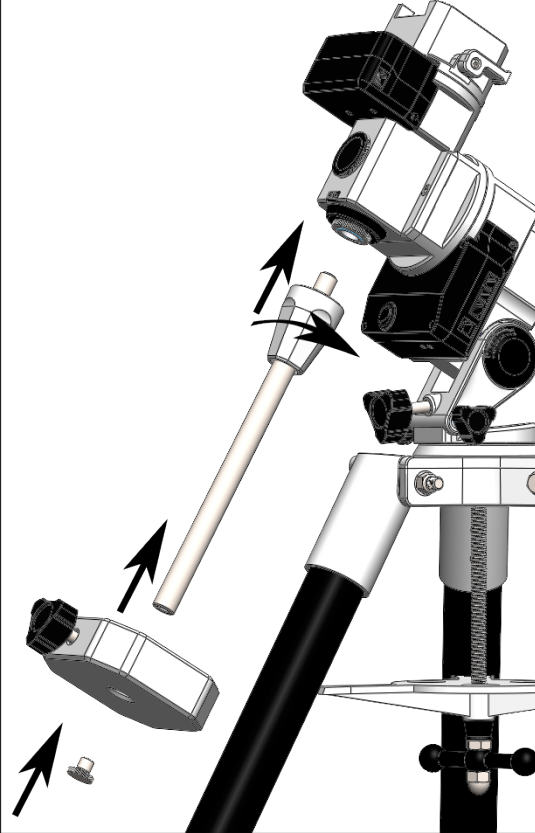
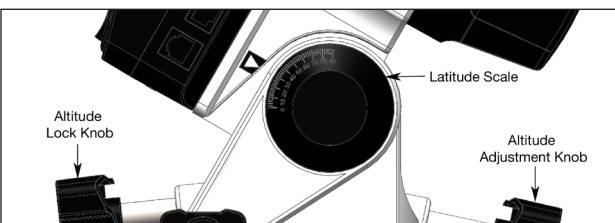


STEP 4 Install Latitude and Azimuth Adjustment knobs.

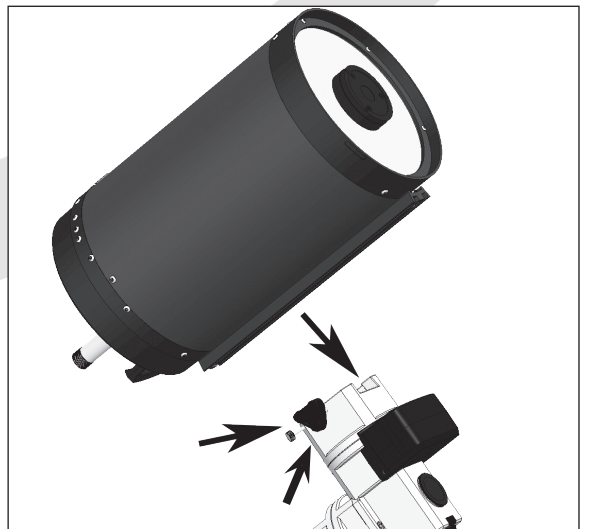
STEP 6 Attach the Counterweight Shaft and Counterweight(s).



STEP 5 Adjust to local latitude using Altitude Adjustment and Lock Knobs

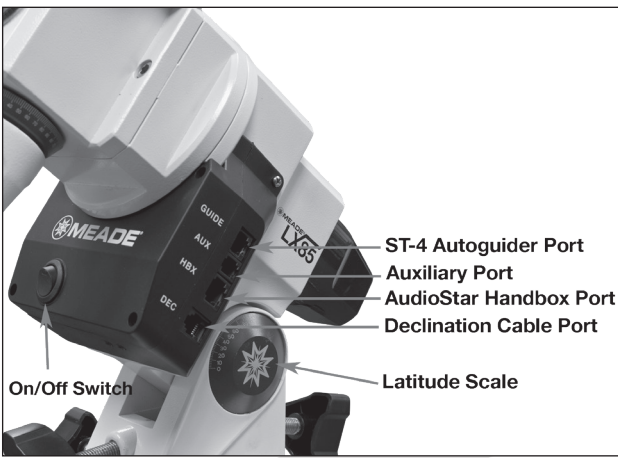


STEP 7 Install the Optical Tube and secure with 2 locking knobs.

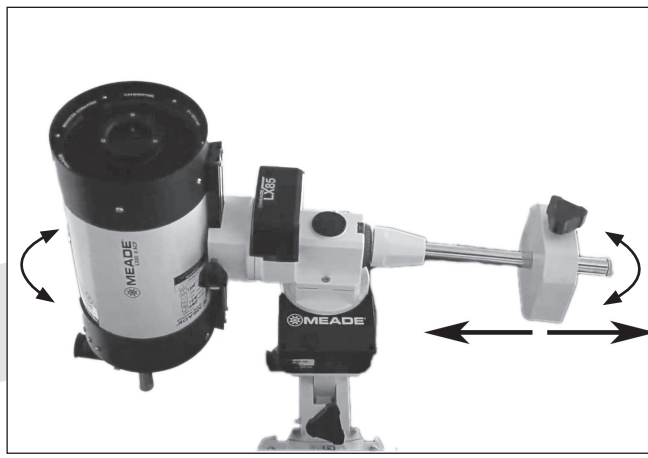


Looking at or near the Sun will cause irreversible damage to your eye. Do not point this telescope at or near the Sun without a proper solar filter attached.

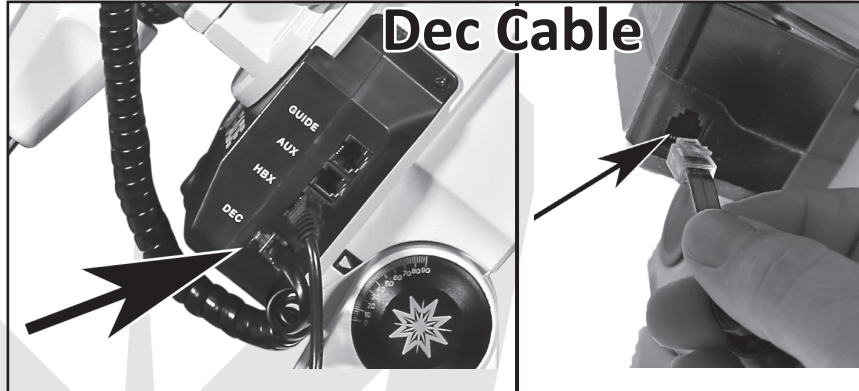
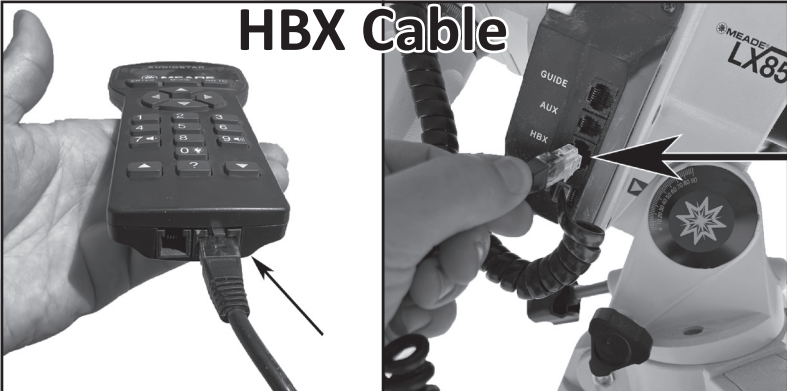
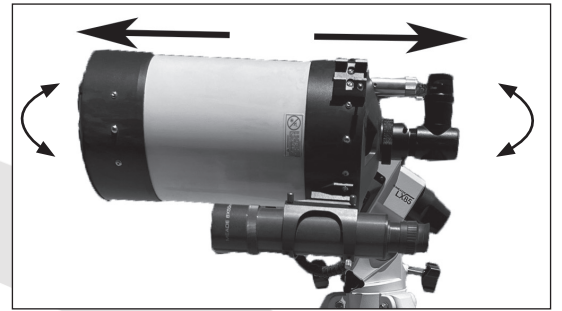
STEP 8 Connect the AudioStar and Cables: AudioStar to 'HBX' Declination Cable to 'Dec'. See below images for reference.



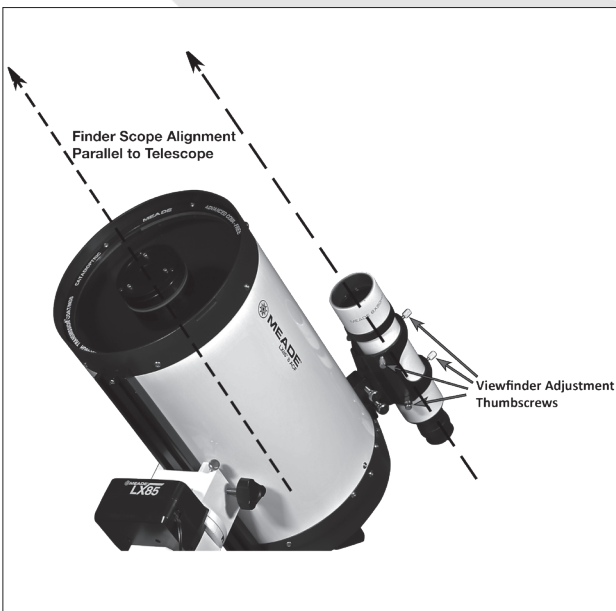
STEP 9 Balance the R.A. Axis. Unlock the R.A. Lock Lever and position horizontally. Reposition Counterweight as needed to balance RA axis.



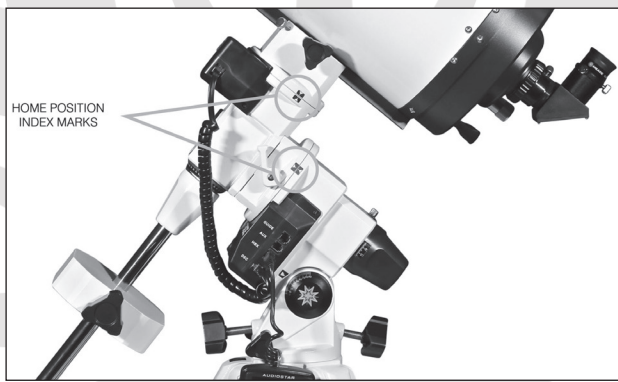
STEP 10 Balance the Dec Axis. Unlock the Dec Lock Lever, and position horizontally. Reposition the optical tube forward/backward as needed until optical tube does not rotate when DEC axis is unlocked. **NOTE:** When making adjustments, always put the scope into the Home position, then adjust.



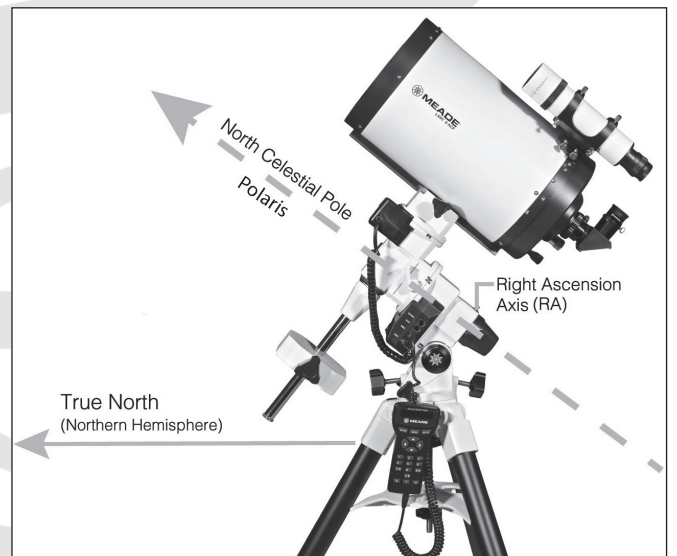
STEP 11 Align the Viewfinder. Center a distance object in the eyepiece. Don't move the telescope and use the viewfinders adjustment screws to center the viewfinder on the same object.



STEP 12 Rough Polar Alignment. Align the Home Position Index Marks. Point tripod assembly North (for northern hemisphere). This is the Home Position and the telescopes starting position.



Starting Home Position



STEP 13 Connect to a 12V DC Power Source.



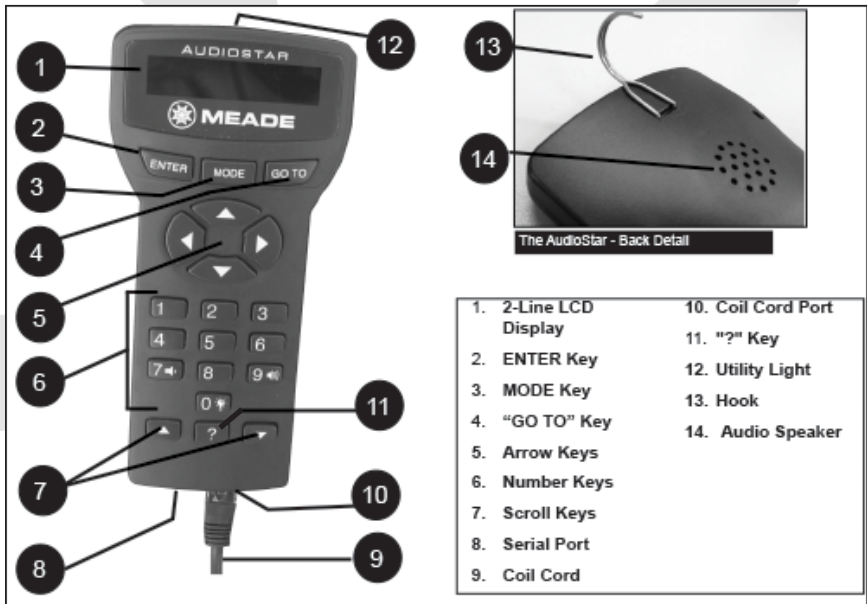
STEP 14 Power the Mount On.



STEP 15 Align with AudioStar. The handbook will show "Press 0 to Align, Mode for Menu". Press 0 to perform a night sky alignment. Press MODE to navigate AudioStars menus to set date, time, and location information. This will allow accurate go-to pointing and tracking. Refer to the full LX85 instruction manual for more information about the usage of the AudioStar and its features. <https://www.meade.com/content/lx85-support-resources>



SCAN ME



- | | |
|-----------------------|--------------------|
| 1. 2-Line LCD Display | 10. Coil Cord Port |
| 2. ENTER Key | 11. "?" Key |
| 3. MODE Key | 12. Utility Light |
| 4. "GO TO" Key | 13. Hook |
| 5. Arrow Keys | 14. Audio Speaker |
| 6. Number Keys | |
| 7. Scroll Keys | |
| 8. Serial Port | |
| 9. Coil Cord | |

Meade Instruments Warranty

The Meade Instruments Statement of Limited Warranty is published at: www.meade.com/supports/warranty/
A printed copy of the Meade Statement of Limited Warranty will be made available by Meade upon written request. See below for Meade contact information.

Warranty Claim

Meade Instruments
89 Hangar Way
Watsonville, CA 95076 U.S.A • +1 (800) 626-3233
customerservice@meade.com • SUBJECT: Warranty Claim



SCAN ME



Looking at or near the Sun will cause irreversible damage to your eye. Do not point this telescope at or near the Sun without a proper solar filter attached.